

6

5

4

3

2

1

D

D

C

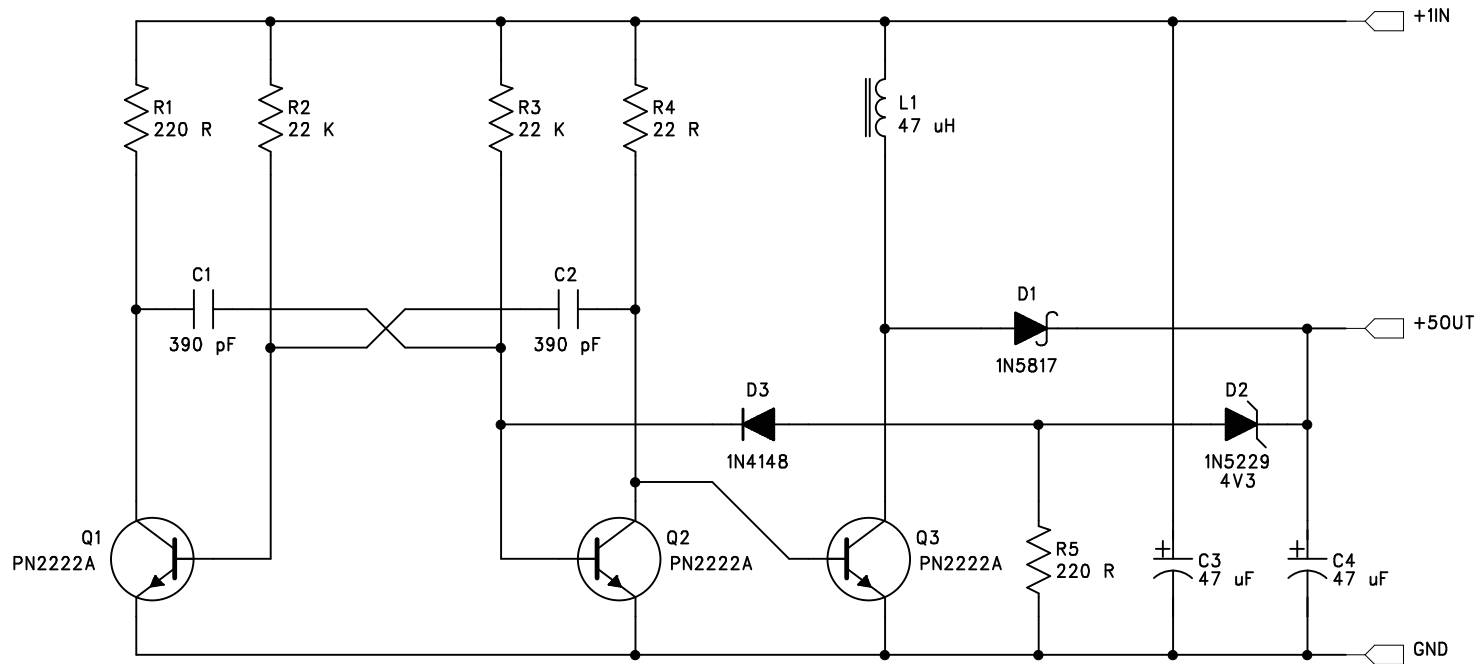
C

B

B

A

A



COMPANY: **Bob Blick**  
 (c) Copyright 2003 Bob Blick. Freely distributable  
 as long as this copyright notice remains intact.

TITLE:  
**1 CELL PWM BOOST CONVERTER**

DATE: **JULY 5, 2003**

DRAWN BY: **Bob Blick**

REV: